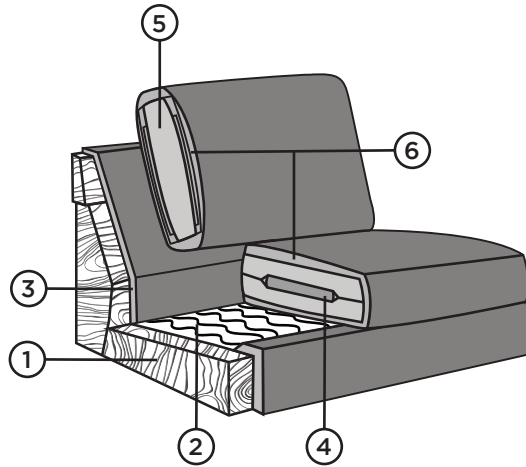


EVITA



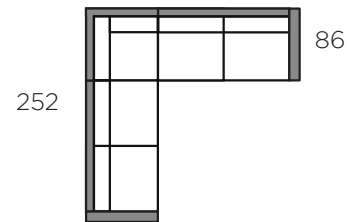
Evita 3



- ① Solid wood and plywood frame
- ② Zig-Zag springs
- ③ Foam VB25
- ④ Cold foam HR37
- ⑤ Cold foam HR23
- ⑥ Wadding

Evita 2,5N2,5

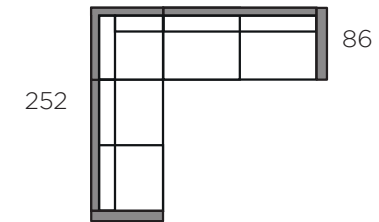
252



86

Evita 2,5N3

274



86

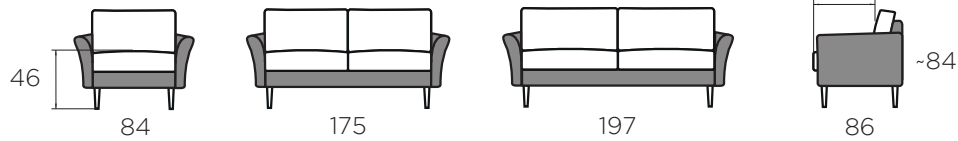
Evita 1

Evita 2,5

Evita 3

53

-84



LEGS



GR-18
height 18 cm
wood



OL-18
6,5x6,5x18
wood

GR-18/OL-18: oiled oak, white oiled oak, wenge